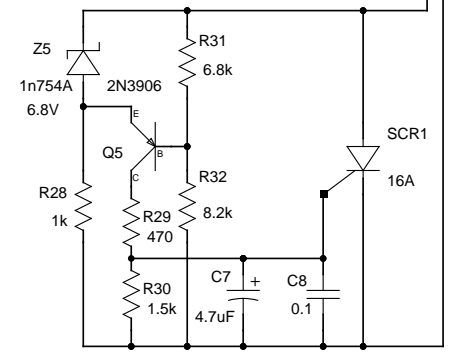


13.8V 25Amp Power Supply  
with short circuit protection  
and overvoltage protection

7.9.2002 TF3MA



Overvoltage protection 16 Volts