

ICOM INSTRUCTIONS
DC POWER SUPPLY
PS-125

Thank you for purchasing the **PS-125** DC POWER SUPPLY. The PS-125 is designed for use with an Icom HF or VHF/UHF all mode transceiver.

Please read these instructions thoroughly before operating the PS-125.

PRECAUTION

- **△NEVER** apply AC voltage that exceeds the specified voltage for the PS-125 rear panel. Excessive voltage could cause a fire or ruin the power supply.
- **△NEVER** expose the power supply to rain, snow or any liquids.
- **△NEVER** open the top or bottom covers. There are no user adjustment points. Opening the case may expose you to electric shock and incorrect reassembly may cause a fire hazard.
- **△NEVER** let metal, wire or other objects touch any internal components through the slits of the cases. This will electric shock.
- **△CAUTION!** The socket-outlet must be near the DC power supply and must be easily accessible.
- **△ACHTUNG!** Die Steckdose muß nahe bei diesem Gerät angebracht und zugänglich sein.
- **KEEP** the power supply out of the reach of children.
- **USE** the power supply with an Icom transceiver only. Other brands may have different pin assignment.
- **USE** an AC outlet that can supply more than 750VA capacity. **AVOID** the use of a multi-plug adaptor.
- **DO NOT** use strong cleaning agents such as benzine or alcohol. **ALWAYS** unplug the AC cable from the AC outlet, then use a dry soft cloth when cleaning the power supply.
- **DO NOT** place liquids on or near the power supply.
- **DO NOT** place the power supply against walls or put anything to behind the power supply. This will obstruct heat dissipation.

SPECIFICATIONS

- Input voltage : 85–135V AC (USA)
187–265V AC (EURO)
- Max. power consumption : 750VA (apparent power)
400W (effective power)
- Output voltage : 13.8V DC±5%
- Max. output current : 25 A
- Dimensions : 94(W)×111 (H)×287(D) mm
(projections not included) 4.4(W)×3.7 (H)×11.3(D) in
- Weight : 3.0kg; 6lb 10oz
- Usable temperature range : -10°C to +60°C; +14°F to +140°F

OPERATION

- ① Make sure the [POWER] switches on the PS-125 and transceiver are OFF.
- ② Connect the DC output cable of the PS-125 to the transceiver DC power input socket.
- ③ Connect the AC power cable to an AC outlet and the PS-125.
- ④ Turn the PS-125 ON.
 - "I" : ON (red indicator lights)
 - "O" : OFF (red indicator goes off)
- ⑤ Turn the transceiver ON.
- ⑥ To turn OFF the system, turn the transceiver power OFF, then the PS-125 in sequence.

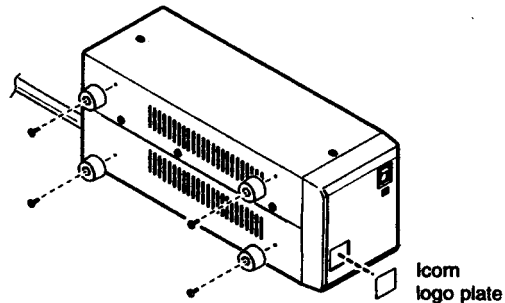
POWER PROTECTOR

The PS-125 has an output protection circuit. When the ⊕ and ⊖ pins are shorted, the PS-125 stops functioning. In such a case, remove the source of the problem, turn OFF the PS-125, wait several seconds, then turn it ON again.

INSTALLATION

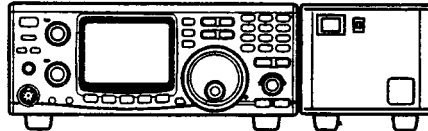
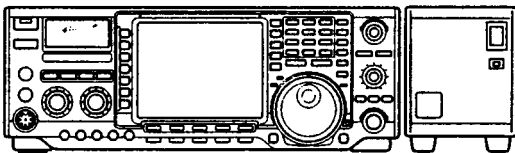
The PS-125's height can be changed from 111mm (4.4in) to 94mm (3.7in), by moving the 4 rubber feet (see diagram at right) to match your own Icom transceiver, such as IC-910H, IC-718, etc.

- Rubber feet attached for 111mm (4.4in) height at the factory.
- Stick Icom logo plate on the front panel after installation.

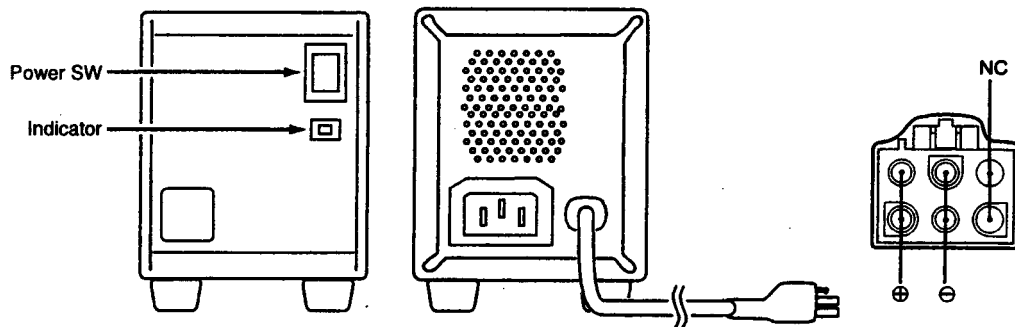


- **Example of installation with IC-756PRO**
111mm (4.4in) height.

- **Example of installation with IC-910H**
94mm (3.7in) height.



PANEL DESCRIPTION



Icom Inc.

1-1-32 Kamiminami, Hirano-ku, Osaka 547-0003 Japan

Count on us!

A-6003S-1G Printed in Japan
© 2001 Icom Inc.